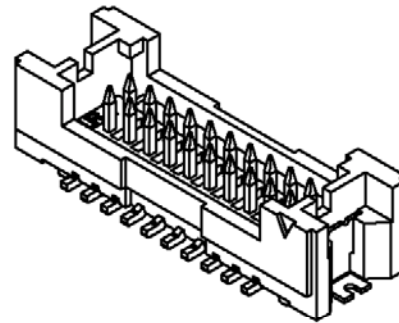
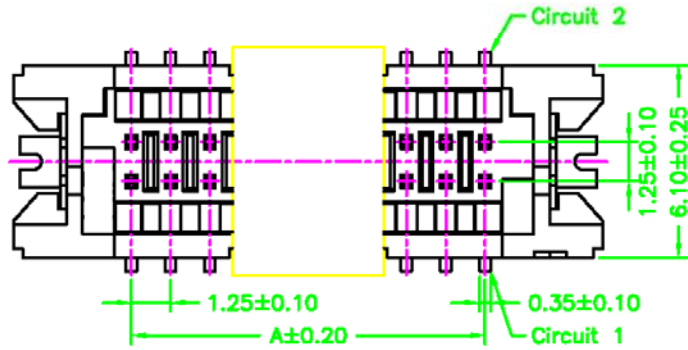


CUSTOMER COPY

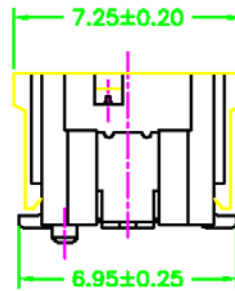
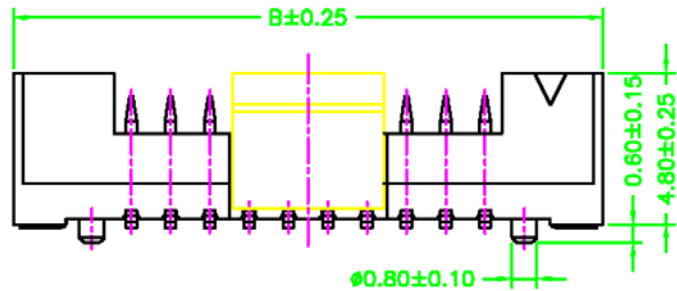
REV.	DESCRIPTION	APP.	DATE
A	NEW DESIGN		



ORDER INFORMATION

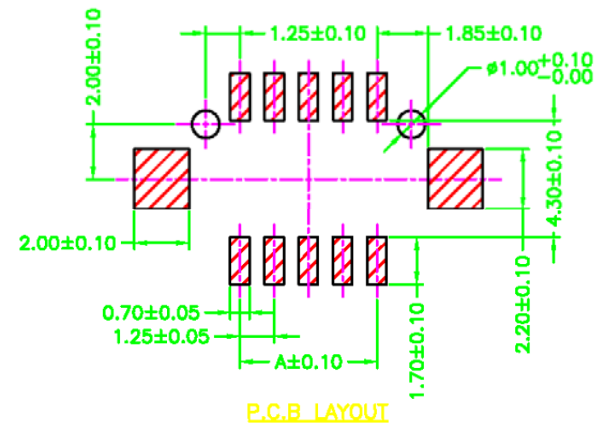
1202 01 X XX X

- 2:Plating Selective Gold
- 3:Plating Gold
- No. of Contact
- 0:Packing Reel
- 01:SMT Type



SPECIFICATIONS

Current Rating: 1A AC,DC  
 Voltage Rating: 150V AC,DC  
 Temperature Range: -25°C ~ +85°C  
 Contact Resistance: 30mΩ Max.  
 Insulation Resistance: 500MΩ Min.  
 Withstanding Voltage: 500V AC/minute  
 Pin Material: Brass/Gold-flash  
 Solder Tabs: Brass/Tin-plated  
 Cap: Nylon 6T,UL94V-0,Natural(Beige)  
 Wafer: Nylon 6T,UL94V-0  
 Color: Natural(Beige)



Dimensions

PART NO.	Dimensions	
	A	B
2X05P	5.00	12.50
2X07P	7.50	15.00
2X10P	11.25	18.75
2X15P	17.50	25.00
2X20P	23.75	31.25



鈺滿榮企業股份有限公司 ACMELUX CO., LTD.

TEL: 886-2-85124595 FAX: 886-2-85124322

0.0±0.30	SCALE: 1:1	TITLE: Pitch 1.25mm 180° Dual Row SMT Type Wafer	PART NO:
0.00±0.20	UNIT: mm		APP BY: <i>Hung</i>
0.000±0.1			CHK BY: <i>Cheryl</i>
		MATL: RoHS	DR BY: <i>Amos</i>
DWG. NO. C120201XXXX		A303	